

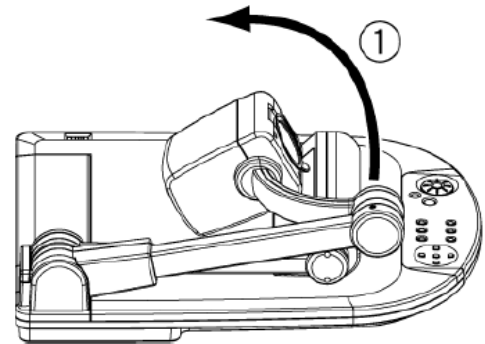


ROBERT H. SMITH SCHOOL OF BUSINESS

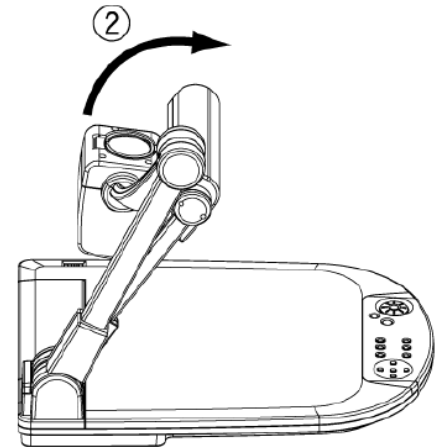
Leaders for the Digital Economy

Using the Elmo P-30 Classroom Digital Projector

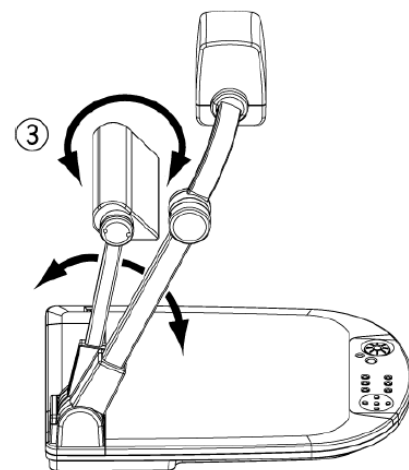
(1) Lift the camera column.



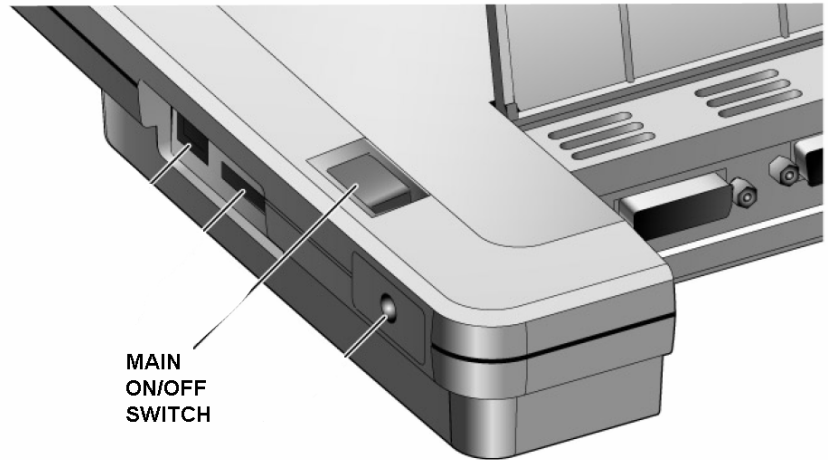
(2) Turn the camera head.





(3) Move the lamp column and the lamp head to an appropriate position as shown in the right figure.



(4) Turn the unit on.



(5) While watching the screen, adjust the angles of the lamp column and the lamp head until the illumination is provided uniformly over the stage. Bring the lamp column closer to the camera head as much as possible but only to such an extent that the lamp head is not seen on the screen, and then face the light-emitting part of the lamp head downward, and the illumination will flood over the stage evenly.

(6) Place an object on the stage, and adjust the position of the object with the zoom dial [ZOOM] ([, [) on the front operating panel so that the part of the object to be viewed can fit the screen size.

(7) Zoom in as tight as possible to the object, and then press the [AF] button on the front operating panel to automatically focus the camera on the object. This will set the front focus so as you zoom out the object will stay in focus for better clarity.



(8) You are now ready to begin your lesson.

Please contact the Office of Smith IT Helpdesk at x52269 if you have any questions or encounter any problems!